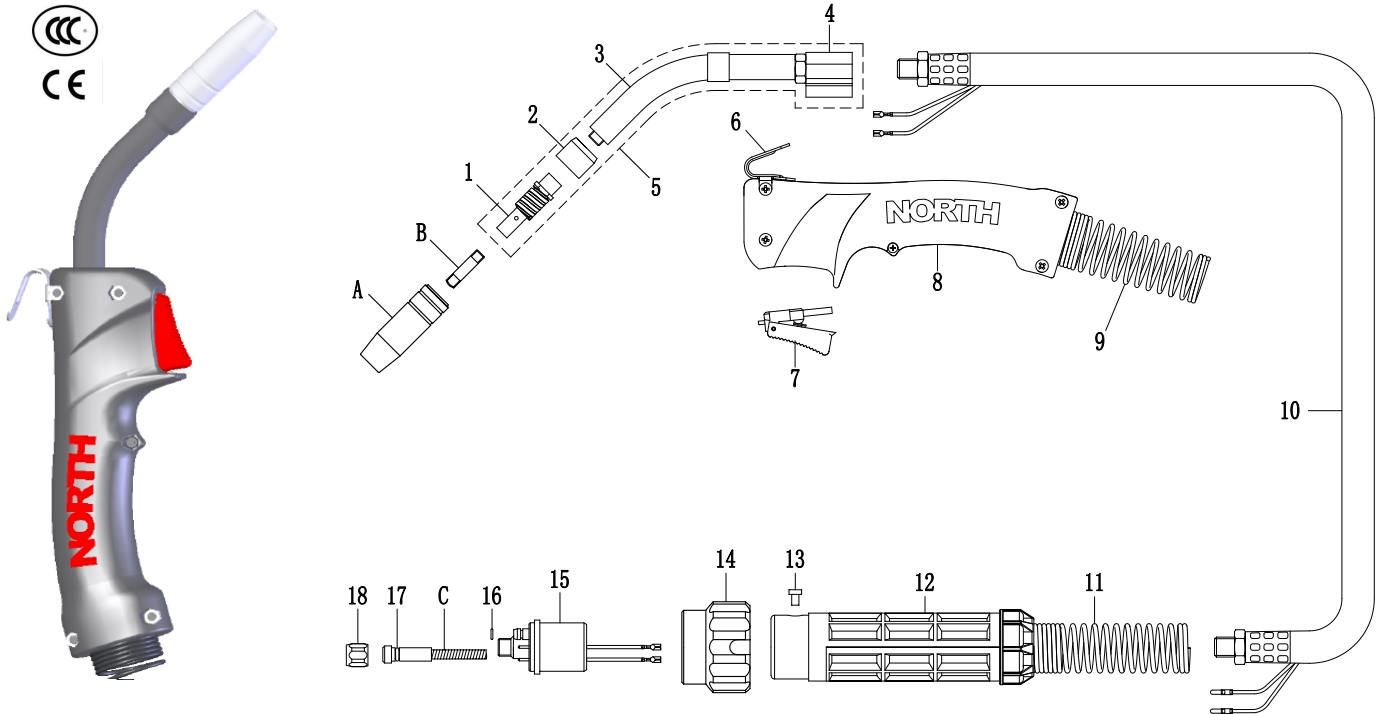


N15 MIG/MAG Welding Gun

Rating: 180A CO₂ 150A mixed gas, 60% duty cycle. wires: 0.6-1.0mm.



Model

Description	Part Number		
	3M	4M	5M
Welding Gun c/w Euro Fitting	N15-3	N15-4	N15-5

Nozzles

No.	Part Number	Description
A	EA1295	Nozzle 9.5mm
	EA1212 *	Nozzle 12mm
	EA1113	Nozzle 13mm
	EA1116	Nozzle 16mm

Contact Tips

No.	Part Number	Description
B	EB1106	Contact Tip 0.6mm M6×25 Ecu
	EB1108 *	Contact Tip 0.8mm M6×25 Ecu
	EB1109	Contact Tip 0.9mm M6×25 Ecu
	EB1110	Contact Tip 1.0mm M6×25 Ecu
	EB1106L	Contact Tip 0.6mm M6×25 CuCrZr
	EB1108L	Contact Tip 0.8mm M6×25 CuCrZr
	EB1109L	Contact Tip 0.9mm M6×25 CuCrZr
	EB1110L	Contact Tip 1.0mm M6×25 CuCrZr

Liners

No.	Part Number	Description
C	ER1208-3	Steel Liner 0.6-0.8mm×3M
	ER2210-3 *	Steel Liner 0.8-1.0mm×3M
	ER2310-3	Teflon Liner 0.8-1.0mm×3M

Components

No.	Part Number	Description
1	ED1001	Diffuser
2	EF1011	Insulator
3	EF1211	Conductor Tube
4	EF1212	Plastic Body
5	EF1245	Gun Neck 45°
6	EG0001	Hanger Hook
7	EJ0003	Trigger
8	EH0101	Handle
9	ES0101	Front Spring Cable Support
10	EL1030	Cable Assembly 3M
11	ES2201	Back Spring Cable Support
12	EH2201	Back Handle
13	EH2211	Screw M4X6
14	EP2001	Gun Plug Nut
15	EU1001	Euro Gun Plug
16	Q504010	O-Ring 4X1
17	Q503515	O-Ring 3.5X1.5
18	EU1011	Nut M10×1

* Denotes Standart Build